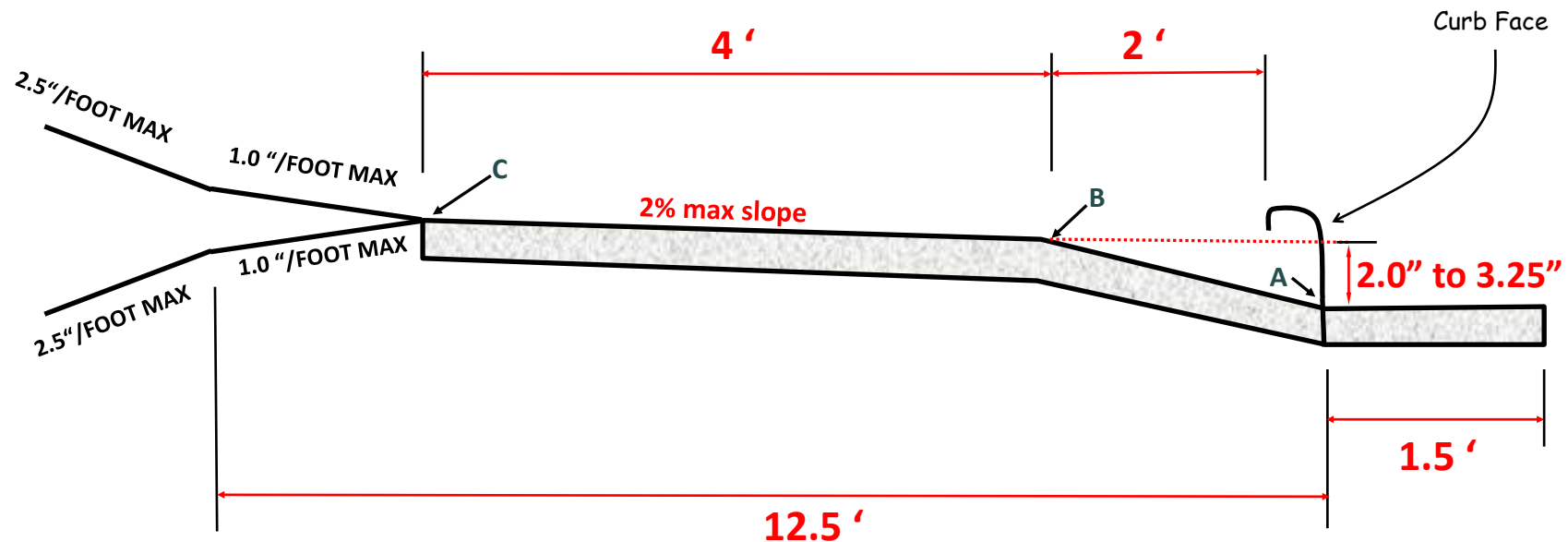




City of Auburn
Home of Auburn University

Sidewalk Crossings at Driveways

4' sidewalk with 2' Green Space



A: Gutter at Curb Face

B: Front side of sidewalk (2.0" to 3.25" above A)

C: Back Side of sidewalk (2% max slope from B)

Note: If C is not a minimum of 4" higher than A, drive must continue upward beyond C until a minimum height of 4" above A is obtained.

Inspection Services Department

171 North Ross Street
Auburn, AL 36830
(334) 501-3170

Hours of Operation

Monday—Friday
7:30 am - 4:30 pm

The information contained within this bulletin is a basic summary of the requirements found in the Auburn Public Works Design and Construction Manual. The contractor is responsible for meeting all the requirements of the City of Auburn.